

How to install Roller Blinds



What you'll need:



Measuring tape



Level



Box Knife



Drill



P2 Phillips Screw Tip, 100mm Long



#6 Countersink Drill Bit

Before Beginning

Check the order form to ensure you have all the parts required for the type of installation you are undertaking

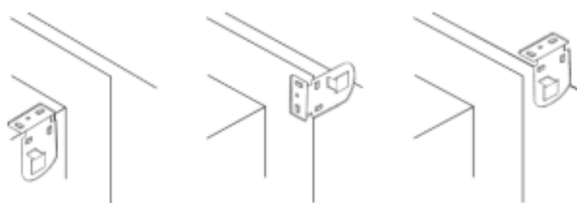
Make sure the 'Item #' box labels match if multiple panels will be used. This application will have a separate frame box or boxes to match with the 'Item #'



Roller Blinds chain drive steps

- 1 The brackets can be recess fixed, wall fixed or ceiling fixed. Use at least 2 screws per bracket.

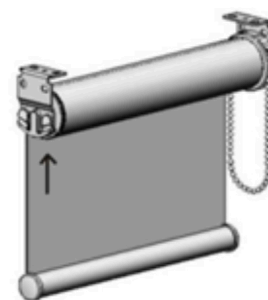
Make sure that the brackets are perfectly level.



- 2 Offer the blind up to the brackets.

Insert the control end first and then push the pin end into place. It will "click" when located.

Check that both ends of the blind are securely held within the brackets.



-  Please see next page for 'Remainder steps' and 'Roller Blinds 2 in one opening steps'

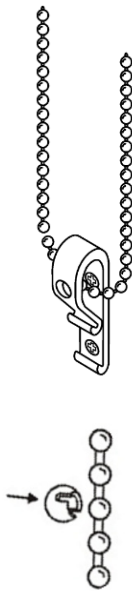
3

The chain stopper should be fitted to the control chain to prevent users from lowering the blind too far. It is a condition of the warranty that this item is correctly fitted.

Fit the chain tidy to the side of the window with the chain running through as illustrated. This is an important child safety feature.

Dismounting the blind:

Raise the blind fully. To remove the blind, rotate the clear plastic knurled wheel so that the pin end fitting retracts inside the blind.



Congratulations, the installation of this opening is now complete.

NOTE: If a blind wanders to one side when rolling up, it may be that the brackets are not level. Re-fix the brackets.

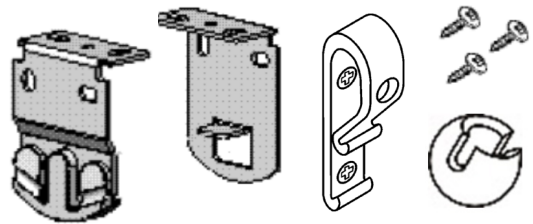
If you need to change controls from one side to the other, it is recommended that you contact the factory for advice, as some parts are specific to either the right or left sides.

Blinds should not fit too tightly or too loosely in the brackets, and should have approximately 1mm to 3mm clearance. If not, re-position the brackets to suit. (with tight fitting blinds, induced friction may cause an idle wheel to retract and allow a blind to fall down & on loose fitting blinds, a small movement of a bracket could allow the blind to completely come out of a bracket and fall down).

Roller Blinds 2 in one opening steps

1

Fit the brackets mount the control bracket, intermediate bracket(s) and idle end bracket in desired position to wall or ceiling.

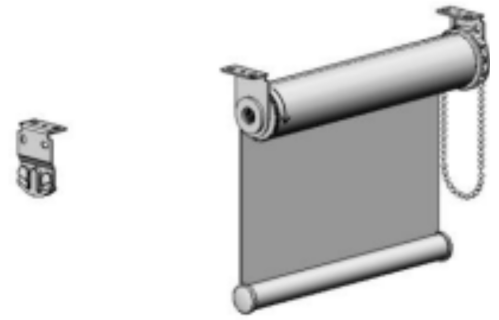


VERY IMPORTANT: The intermediate brackets must be aligned perfectly. If not, induced friction could cause a drive wheel to retract and allow a blind to fall down.

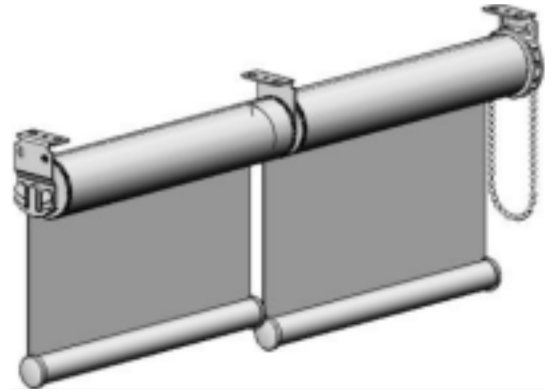


Please see next page for 'Remainder steps'

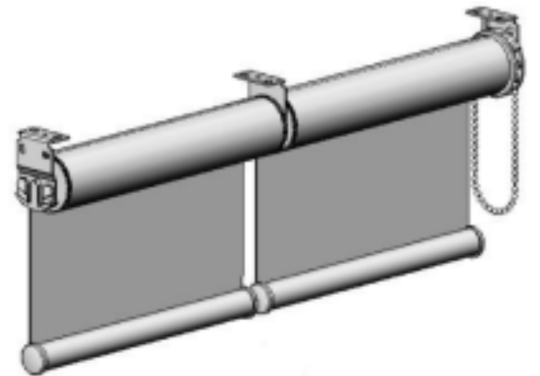
2 Fit the control blind rotate the clear plastic knurled intermediate drive wheel so that the female connection retracts inside the blind. Mount the control end on to the control bracket, raise the other end up to the bracket and then rotate the plastic knurled wheel to release the female connection into the intermediate bracket.



3 Fit the Slave Blind(s) rotate the clear plastic knurled intermediate drive wheel so that the male connection retracts inside the blind. Mount the idle end on to the idle end bracket, raise the other end up to the bracket and then rotate the plastic knurled wheel to release the male connection into the intermediate bracket. The connection between the blinds will now engage.



4 Bottom Levelling whilst holding the Slave Blind, rotate the clear plastic knurled intermediate drive wheel so that the male connection retracts inside the blind. Turn the Slave Blind until the bottom rails line up and then rotate the plastic knurled wheel back to release the connection and link the blinds together again. It is best to align the blinds when they are fully lowered.



5 Accessories the chain stopper should be fitted to the control chain to prevent users from lowering a blind too far. Be careful to position it properly as it is difficult to remove. It is a condition of the warranty that this item is correctly fitted. Fit the chain tidy to the side of the window with the chain running through as illustrated. This is an important child safety feature.

